

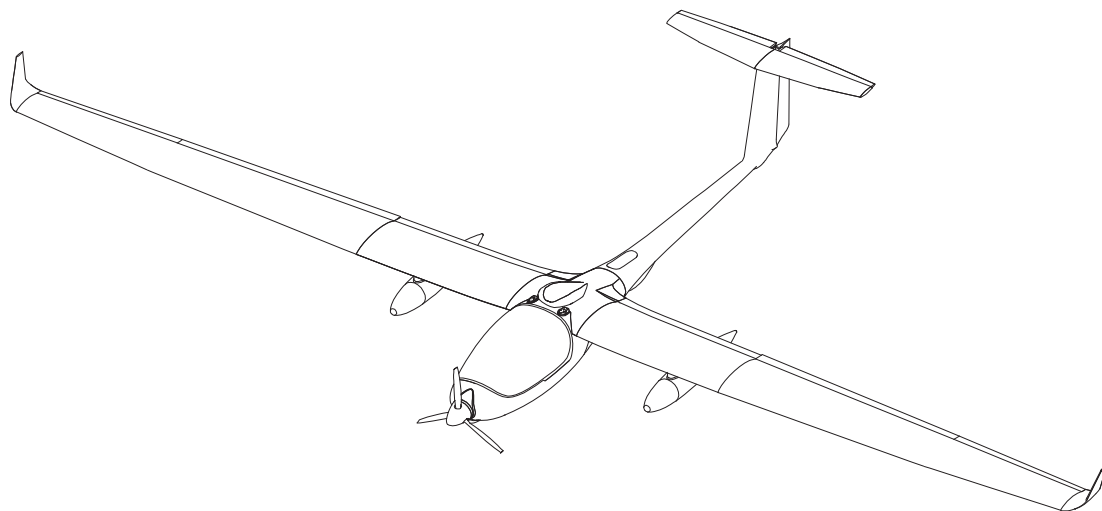
ILLUSTRATED PARTS CATALOG

STEMME ASP, Variant S15-1

DOCUMENT NUMBER K530-911963

ISSUE DECEMBER 02, 2013

Revision No. 05 to IPC DECEMBER 02, 2013 is approved
under the Authority of DOA ref. EASA.21J.250.



STEMME AG
Flugplatzstraße F2, Nr. 6-7
D-15344 Strausberg

Phone: +49.3341.3612-0
E-mail: info@stemme.de
Web: www.stemme.com

TABLE OF CONTENTS

	ATA-Chapter
INTRODUCTION	00
LIFTING AND SHORING.....	07
TOWING AND TAXIING.....	09
PARKING, MOORING, STORAGE & RETURN TO SERVICE.....	10
PLACARDS AND MARKINGS	11
SERVICING	12
AIR CONDITIONING	21
AUTO FLIGHT	22
COMMUNICATIONS	23
ELECTRICAL POWER	24
EQUIPMENT / FURNISHINGS	25
FIRE PROTECTION	26
FLIGHT CONTROLS	27
FUEL	28
HYDRAULIC POWER	29
INSTRUMENTS	31
LANDING GEAR	32
LIGHTS	33
NAVIGATION	34
OXYGEN	35
CANOPY / DOORS	52
FUSELAGE	53
STABILIZERS	55
WINGS	57
PROPELLER	61
POWER PLANT	71
ENGINE DRIVE	72
IGNITION	74
AIR	75
ENGINE CONTROLS	76
ENGINE INDICATING	77
EXHAUST.....	78
ENGINE OIL	79

LIST OF EFFECTIVE PAGES

CHAPTER/ SECTION/ SUBJECT	PAGE	DATE	EFFECTIVITY	CHAPTER/ SECTION/ SUBJECT	PAGE	DATE	EFFECTIVITY
Table of Contents	D.01	Aug 01/16		11-30-02	P.01	Dec 02/13	Autopilot System
Effective Pages	D.01	Aug 03/18		11-30-02	D.01	Dec 02/13	Autopilot System
Effective Pages	D.02	Jul 11/18		11-30-03	P.01	May 16/18	ELT S/N 004-030; S/N 032-999
Effective Pages	D.03	Aug 03/18		11-30-03	D.01	May 16/18	ELT S/N 004-030; S/N 032-999
Effective Pages	D.04	Jul 11/18		11-30-03	P.01	May 16/18	ELT S/N 031
Record of Revisions	D.01	Aug 03/18		11-30-03	D.01	May 16/18	ELT S/N 031
00-TOC	D.01	Dec 02/13		12-TOC	D.01	Dec 02/13	
00-00-00	D.01	Dec 02/13		12-50-00	D.01	Dec 02/13	
00-00-00	D.02	Dec 02/13		12-60-00	D.01	Aug 01/16	
07-TOC	D.01	Dec 02/13		12-71-00	D.01	Jul 11/18	
07-10-01	P.01	Aug 01/16		12-71-00	D.02	Dec 02/13	
07-10-01	D.01	Aug 01/16		12-72-00	P.01	Jul 11/18	
07-10-02	P.01	Dec 02/13		12-72-00	D.01	Jul 11/18	
07-10-02	D.01	Dec 02/13		21-TOC	D.01	Dec 02/13	
07-10-03	P.01	Dec 02/13		21-20-00	P.01	Aug 01/16	
07-10-03	D.01	Dec 02/13		21-20-00	D.01	Aug 01/16	
09-TOC	D.01	Dec 02/13		21-20-00	P.02	Aug 01/16	
09-10-00	P.01	Dec 02/13		21-20-00	D.02	Aug 01/16	
09-10-00	D.01	Dec 02/13		21-40-00	P.01	Dec 02/13	Heating System
09-10-00	P.02	Dec 02/13		21-40-00	D.01	Dec 02/13	Heating System
09-10-00	D.02	Dec 02/13		21-40-00	P.02	Dec 02/13	Heating System
10-TOC	D.01	Aug 01/16		21-40-00	D.02	Dec 02/13	Heating System
10-10-01	P.01	Dec 02/13		22-TOC	D.01	Dec 02/13	Autopilot System
10-10-01	D.01	Dec 02/13		22-10-00	P.01	Dec 02/13	Autopilot System
10-10-02	P.01	Dec 02/13		22-10-00	D.01	Dec 02/13	Autopilot System
10-10-02	D.01	Dec 02/13		23-TOC	D.01	Jan 13/14	
10-10-03	P.01	Dec 02/13		23-00-00	P.01	Jan 13/14	
10-10-03	D.01	Jul 11/18		23-00-00	D.01	Jan 13/14	
10-10-04	P.01	Aug 01/16		24-TOC	D.01	Dec 02/13	
10-10-04	D.01	Aug 01/16		24-20-00	P.01	Aug 01/16	Alternator 2200W
11-TOC	D.01	May 16/18		24-20-00	D.01	Aug 01/16	Alternator 2200W
11-20-00	P.01	Aug 01/16		24-20-00	P.02	Aug 01/16	Alternator 2200W
11-20-00	D.01	Dec 02/13		24-20-00	D.02	Aug 01/16	Alternator 2200W
11-30-00	P.01	Dec 02/13		24-30-00	P.01	Dec 02/13	
11-30-00	D.01	Dec 02/13		24-30-00	D.01	Dec 02/13	
11-30-00	P.02	Dec 02/13		25-TOC	D.01	May 16/18	
11-30-00	D.02	Dec 02/13		25-10-01	P.01	Dec 02/13	
11-30-00	P.03	Dec 02/13		25-10-01	D.01	Dec 02/13	
11-30-00	D.03	Dec 02/13		25-10-02	P.01	Dec 02/13	S/N 001 - 010
11-30-00	P.04	Dec 02/13		25-10-02	D.01	Dec 02/13	S/N 001 - 010
11-30-00	D.04	Dec 02/13		25-10-02	P.01	Dec 02/13	S/N 011 - 999
11-30-00	P.05	Dec 02/13		25-10-02	D.01	Dec 02/13	S/N 011 - 999
11-30-00	D.05	Dec 02/13		25-10-03	P.01	Dec 02/13	S/N 001 - 010
11-30-01	P.01	Dec 02/13	Underwing PODs	25-10-03	D.01	Dec 02/13	S/N 001 - 010
11-30-01	D.01	Dec 02/13	Underwing PODs	25-10-03	P.02	Dec 02/13	S/N 001 - 010
				25-10-03	D.02	Dec 02/13	S/N 001 - 010
				25-10-03	P.01	Jan 13/14	S/N 011 - 999
				25-10-03	D.01	Jan 13/14	S/N 011 - 999
				25-10-04	P.01	Dec 02/13	

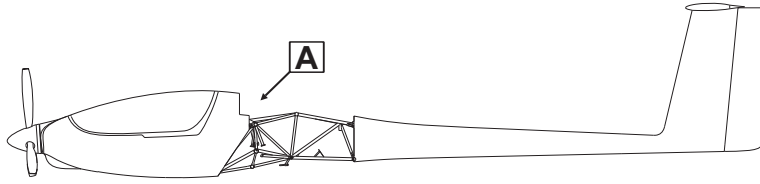
CHAPTER/ SECTION/ SUBJECT	PAGE	DATE	EFFECTIVITY	CHAPTER/ SECTION/ SUBJECT	PAGE	DATE	EFFECTIVITY
25-10-04	D.01	Dec 02/13		28-40-00	P.01	Aug 01/16	
25-50-00	P.01	Aug 01/16		28-40-00	D.01	Aug 01/16	
25-50-00	D.01	Aug 01/16		28-40-00	P.02	Aug 01/16	
25-50-00	P.02	Aug 01/16		28-40-00	D.02	Aug 01/16	
25-50-00	D.02	Aug 01/16		29-TOC	D.01	Dec 02/13	
25-62-00	P.01	May 16/18	ELT 004-030, 032-999	31-TOC	D.01	Jan 13/14	
25-62-00	D.01	May 16/18	ELT 004-030, 032-999	31-00-00	P.01	Jan 13/14	
25-62-00	P.01	May 16/18	ELT S/N 031	31-00-00	D.01	Jan 13/14	
25-62-00	D.01	May 16/18	ELT S/N 031	31-00-00	D.02	Aug 01/16	
25-71-00	P.01	Dec 02/13		31-10-00	P.01	Aug 01/16	
25-71-00	D.01	Dec 02/13		31-10-00	D.01	Aug 01/16	
25-71-00	P.02	Dec 02/13		31-11-00	D.01	Dec 02/13	
25-71-00	D.02	Dec 02/13		31-91-00	D.01	Aug 01/16	
25-80-00	P.01	May 16/18	S/N 031	31-92-00	D.01	Aug 01/16	
25-80-00	D.01	May 16/18	S/N 031	32-TOC	D.01	Jan 13/14	
25-80-01	P.01	May 16/18	S/N 031	32-10-00	P.01	Dec 02/13	
25-80-01	D.01	May 16/18	S/N 031	32-10-00	D.01	Dec 02/13	
26-TOC	D.01	May 16/18		32-10-00	P.02	Dec 02/13	
26-12-00	P.01	Dec 02/13		32-10-00	D.02	Dec 02/13	
26-12-00	D.01	Dec 02/13		32-10-00	P.03	Dec 02/13	
26-22-00	P.01	May 16/18	Fire Extinguisher	32-10-00	D.03	Dec 02/13	
26-22-00	D.01	May 16/18	Fire Extinguisher	32-10-00	P.04	Dec 02/13	
27-TOC	D.01	Dec 02/13		32-10-00	D.04	Dec 02/13	
27-10-00	P.01	Aug 01/16		32-20-00	P.01	Jul 11/18	
27-10-00	D.01	Aug 01/16		32-20-00	D.01	Jul 11/18	
27-20-00	P.01	Aug 01/16		32-20-00	P.02	Jul 11/18	
27-20-00	D.01	Aug 01/16		32-20-00	D.02	Jul 11/18	
27-30-00	P.01	Aug 01/16		32-30-00	P.01	Dec 02/13	
27-30-00	D.01	Aug 01/16		32-30-00	D.01	Dec 02/13	
27-30-00	P.02	Dec 02/13	Autopilot System	32-30-00	P.02	Dec 02/13	S/N 001-019
27-30-00	D.02	Dec 02/13	Autopilot System	32-30-00	D.02	Dec 02/13	S/N 001-019
27-31-00	P.01	Dec 02/13		32-30-00	P.02	Dec 02/13	S/N 020-999
27-31-00	D.01	Dec 02/13		32-30-00	D.02	Dec 02/13	S/N 020-999
27-31-00	P.02	Dec 02/13		32-30-00	P.03	Dec 02/13	
27-31-00	D.02	Dec 02/13		32-30-00	D.03	Dec 02/13	
27-50-00	P.01	Aug 01/16		32-30-00	P.04	Dec 02/13	
27-50-00	D.01	Aug 01/16		32-30-00	D.04	Dec 02/13	
27-50-00	P.02	Aug 01/16		32-30-00	P.05	Dec 02/13	
27-50-00	D.02	Aug 01/16		32-30-00	P.06	Dec 02/13	
27-60-00	P.01	Dec 02/13		32-30-00	D.06	Dec 02/13	
27-60-00	D.01	Dec 02/13		32-30-00	P.07	Dec 02/13	
28-TOC	D.01	Dec 02/13		32-30-00	D.07	Dec 02/13	
28-20-00	P.01	Dec 02/13		32-30-00	P.08	Dec 02/13	
28-20-00	D.01	Dec 02/13		32-30-00	D.08	Dec 02/13	
28-20-00	D.02	Aug 01/16		32-30-01	P.01	Jan 13/14	
28-20-00	P.03	Dec 02/13		32-30-01	D.01	Jan 13/14	
28-20-00	D.03	Dec 02/13		32-31-00	P.01	Dec 02/13	
28-20-00	P.04	Dec 02/13		32-31-00	D.01	Dec 02/13	
28-20-00	D.04	Dec 02/13		32-31-00	P.02	Dec 02/13	
28-20-00	P.01	Aug 01/16		32-31-00	D.02	Dec 02/13	
28-23-00	D.01	Aug 01/16		32-40-00	P.01	Aug 01/16	
28-23-00	P.01	Aug 01/16		32-40-00	D.01	Aug 01/16	
28-23-00	D.01	Aug 01/16		32-40-00	P.02	Dec 02/13	

CHAPTER/ SECTION/ SUBJECT	PAGE	DATE	EFFECTIVITY	CHAPTER/ SECTION/ SUBJECT	PAGE	DATE	EFFECTIVITY
32-40-00	D.02	Dec 02/13		52-10-01	P.02	Dec 02/13	
32-40-00	P.03	Dec 02/13		52-10-01	D.02	Dec 02/13	
32-40-00	D.03	Dec 02/13		52-10-02	P.01	Dec 02/13	Steps
32-60-00	P.01	Dec 02/13		52-10-02	D.01	Dec 02/13	Steps
32-60-00	D.01	Dec 02/13		52-30-00	P.01	Jan 13/14	
33-TOC	D.01	Dec 02/13		52-30-00	D.01	Jan 13/14	
33-40-00	P.01	Jul 11/18	S/N 004-033	53-TOC	D.01	Aug 03/18	
33-40-00	D.01	Jul 11/18	S/N 004-033	53-11-00	P.01	Dec 02/13	
33-40-00	P.01	Jul 11/18	S/N 034-999	53-11-00	D.01	Dec 02/13	
33-40-00	D.01	Jul 11/18	S/N 034-999	53-11-00	P.02	Dec 02/13	
33-40-00	P.02	Dec 02/13		53-11-00	D.02	Dec 02/13	
33-40-00	D.02	Dec 02/13		53-12-00	P.01	Dec 02/13	Trim Weights
34-TOC	D.01	Jul 11/18		53-12-00	D.01	Dec 02/13	Trim Weights
34-11-00	P.01	Jul 11/18	Straight	53-45-00	P.01	Aug 03/18	RH mod cocp
			Narrow Probe	53-45-00	D.01	Aug 03/18	RH mod cocp
34-11-00	D.01	Jul 11/18	Straight	53-45-00	P.02	Aug 03/18	RH mod cocp
			Narrow Probe	53-45-00	D.02	Aug 03/18	RH mod cocp
34-11-00	P.01	Jul 11/18	2 Pitot Tubes,	55-TOC	D.01	Dec 02/13	
			L-Type	55-10-00	P.01	Dec 02/13	
34-11-00	D.01	Jul 11/18	2 Pitot Tubes,	55-10-00	D.01	Dec 02/13	
			L-Type	55-20-00	P.01	Dec 02/13	
34-11-00	P.02	Jul 11/18	2 Pitot Tubes,	55-20-00	D.01	Dec 02/13	
			L-Type	55-40-00	P.01	Aug 01/16	
34-11-00	D.02	Jul 11/18	2 Pitot Tubes,	55-40-00	D.01	Aug 01/16	
			L-Type	57-TOC	D.01	Dec 02/13	
34-11-00	P.01	Jul 11/18	2 Pitot Tubes,	57-10-01	P.01	Aug 01/16	
			Straight Wide	57-10-01	D.01	Dec 02/13	
			Type	57-10-01	P.02	Dec 02/13	
34-11-00	D.01	Jul 11/18	2 Pitot Tubes,	57-10-01	D.02	Dec 02/13	
			Straight Wide	57-10-02	P.01	Dec 02/13	
			Type	57-10-02	D.01	Dec 02/13	
34-11-00	P.02	Jul 11/18	2 Pitot Tubes,	57-20-00	P.01	Dec 02/13	
			Straight Wide	57-20-00	D.01	Dec 02/13	
			Type	57-41-00	P.01	Aug 01/16	
34-11-00	D.02	Jul 11/18	2 Pitot Tubes,	57-41-00	D.01	Dec 02/13	
			Straight Wide	57-50-00	P.01	Dec 02/13	
			Type	57-50-00	D.01	Dec 02/13	
34-11-00	P.03	May 16/18		57-50-00	P.02	Dec 02/13	
34-11-00	D.03	May 16/18		57-50-00	D.02	Dec 02/13	
34-18-00	P.01	Jul 11/18	Inst. Screws	57-70-00	P.01	Dec 02/13	Single Panel
34-18-00	D.01	Jul 11/18	Inst. Screws	57-70-00	D.01	Dec 02/13	Single Panel
34-18-00	P.01	Jul 11/18	Inst. Camlocs	57-70-00	P.01	Dec 02/13	Double Panel
34-18-00	D.01	Jul 11/18	Inst. Camlocs	57-70-00	D.01	Dec 02/13	Double Panel
34-31-00	P.01	Aug 01/16	Nav.-Consoles	61-TOC	D.01	Dec 02/13	
34-31-00	D.01	Aug 01/16	Nav.-Consoles	61-10-00	P.01	Dec 02/13	
35-TOC	D.01	Dec 02/13		61-10-00	D.01	Aug 01/16	
35-10-00	P.01	Dec 02/13	Oxygen System	71-TOC	D.01	May 16/18	
35-10-00	D.01	Dec 02/13	Oxygen System	71-01-00	P.01	Dec 02/13	
35-10-00	P.02	Dec 02/13	Oxygen System	71-01-00	D.01	Jul 11/18	
35-10-00	D.02	Dec 02/13	Oxygen System	71-10-00	P.01	May 16/18	S/N 004-030; 032-999
52-TOC	D.01	Dec 02/13					
52-10-01	P.01	Dec 02/13		71-10-00	D.01	May 16/18	S/N 004-030; 032-999
52-10-01	D.01	Jul 11/18					

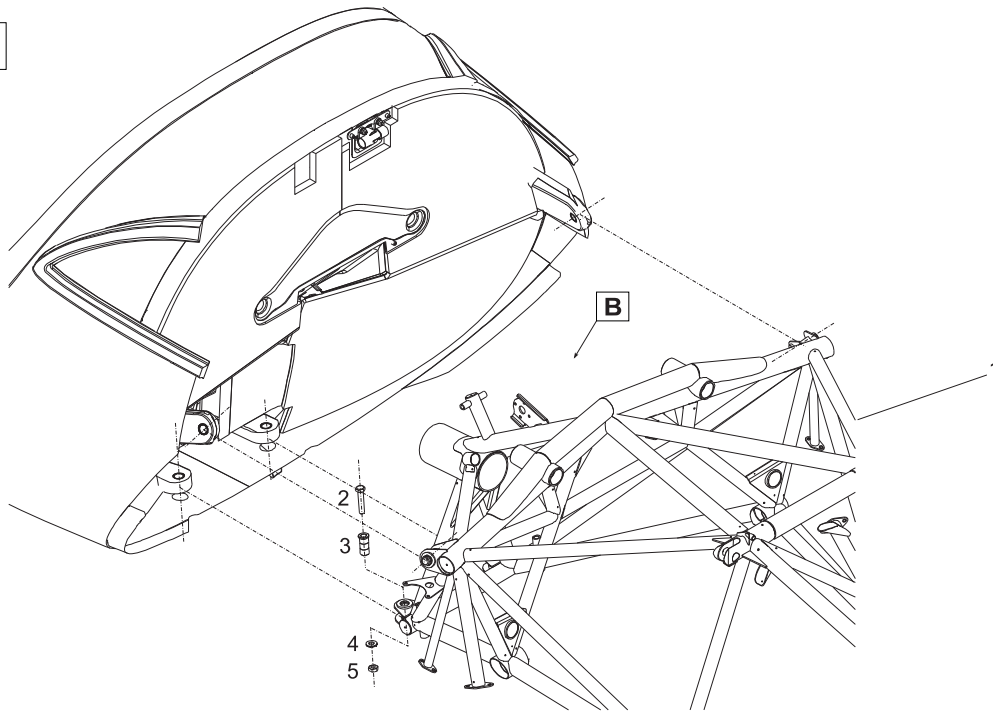
CHAPTER/ SECTION/ SUBJECT	PAGE	DATE	EFFECTIVITY	CHAPTER/ SECTION/ SUBJECT	PAGE	DATE	EFFECTIVITY
71-10-00	P.01	May 16/18	S/N 031	79-20-00	D.01	Aug 01/16	
71-10-00	D.01	May 16/18	S/N 031				
71-10-00	P.02	Jan 13/14					
71-10-00	D.02	Jan 13/14					
71-11-00	P.01	Aug 01/16					
71-11-00	D.01	Dec 02/13					
71-12-00	P.01	Jan 13/14					
71-12-00	D.01	Jan 13/14					
71-12-00	P.02	Jan 13/14					
71-12-00	D.02	Jan 13/14					
71-20-00	P.01	Dec 02/13					
71-20-00	D.01	Dec 02/13					
71-30-00	P.01	May 16/18	S/N 004, 010				
71-30-00	D.01	May 16/18	S/N 004, 010				
71-30-00	P.01	May 16/18	S/N 028-999				
71-30-00	D.01	May 16/18	S/N 028-999				
71-30-00	P.02	May 16/18	S/N 004, 010				
71-30-00	D.02	May 16/18	S/N 004, 010				
71-30-00	P.02	May 16/18	S/N 028-999				
71-30-00	D.02	May 16/18	S/N 028-999				
71-30-00	P.03	Aug 01/16					
71-30-00	D.03	Dec 02/13					
71-60-00	P.01	Aug 01/16					
71-60-00	D.01	Aug 01/16					
71-60-00	P.02	Dec 22/16					
71-60-00	D.02	Dec 02/13					
72 - TOC	D.01	Dec 02/13					
72-10-01	P.01	Dec 02/13					
72-10-01	D.01	Dec 02/13					
72-10-02	P.01	Dec 02/13					
72-10-02	D.01	Aug 01/16					
72-10-03	P.01	Aug 01/16					
72-10-03	D.01	Aug 01/16					
74 - TOC	D.01	Dec 02/13					
74-00-10	D.01	Dec 02/13					
75-TOC	D.01	Dec 02/13					
75-20-00	P.01	Aug 01/16					
75-20-00	D.01	Dec 02/13					
75-20-00	D.02	Aug 01/16					
76-TOC	D.01	Dec 02/13					
76-03-00	P.01	Aug 01/16	S/N 001 - 010				
76-03-00	D.01	Aug 01/16	S/N 001 - 010				
76-03-00	P.01	Aug 01/16	S/N 011 - 999				
76-03-00	D.01	Aug 01/16	S/N 011 - 999				
76-03-00	P.02	Aug 01/16					
76-03-00	D.02	Aug 01/16					
76-03-00	P.03	Aug 01/16					
76-03-00	D.03	Aug 01/16					
78-TOC	D.01	Dec 02/13					
78-00-00	P.01	Dec 02/13					
78-00-00	D.01	Dec 02/13					
79-TOC	D.01	Dec 02/13					
79-20-00	P.01	Aug 01/16					

53 FUSELAGE

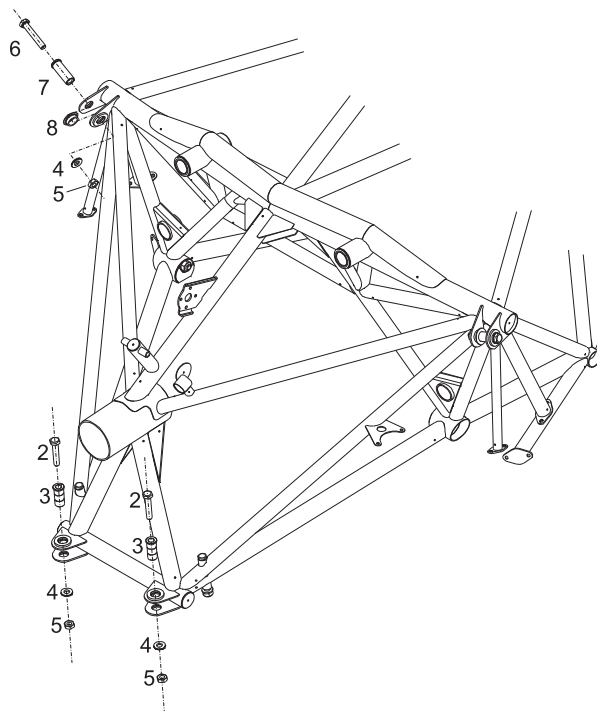
TUBULAR STEEL FRAME	53-11-00
TRIM WEIGHTS	53-12-00
EXTERNAL PAYLOAD STATION COCKPIT	53-45-00



A



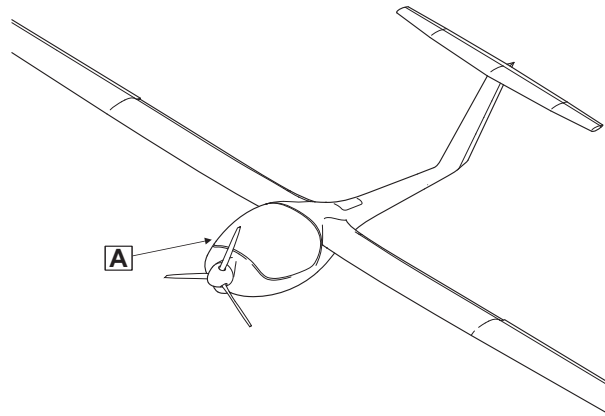
B



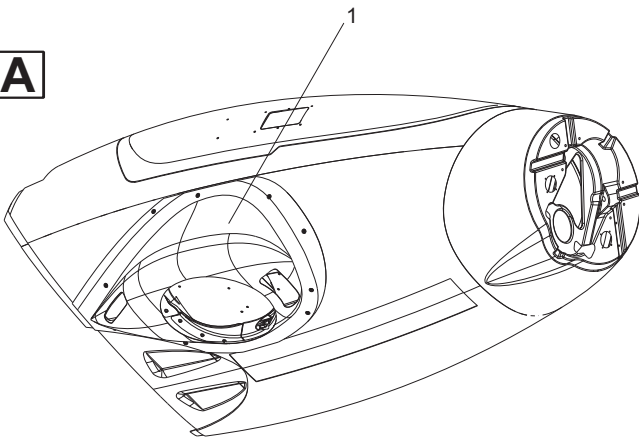
Description: Front Trim Weights
 Assembly-No: 350.693

<u>Pos.</u>	<u>Part-No.</u>	<u>Nomenclature</u>	<u>Qty.</u>	<u>Remarks</u>
1	350.694	Trim Weight, front	4	
2	350.695	Threaded Bolt	6	
3	810.031	Washer - 6,4	6	
4	810.692	Wing Nut - M6	6	
5	810.693	Retaining Safety Pin - 1,0	6	
6	810.213	Washer - 8,4	6	
7	810.023	Hexagon Nut - M8	6	

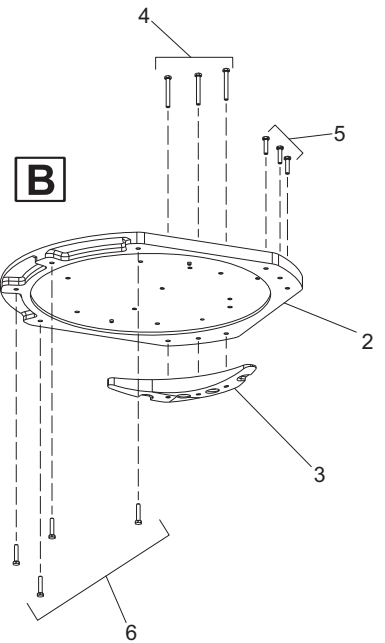
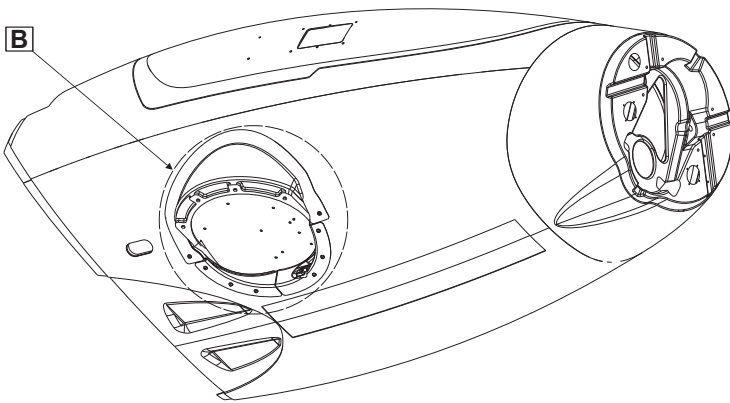
EFFECTIVITY _____
 Trim Weights



A



B

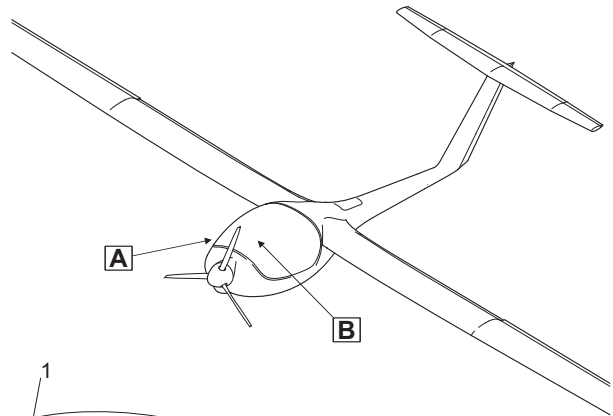


EFFECTIVITY _____
A/C with RH modified cockpit

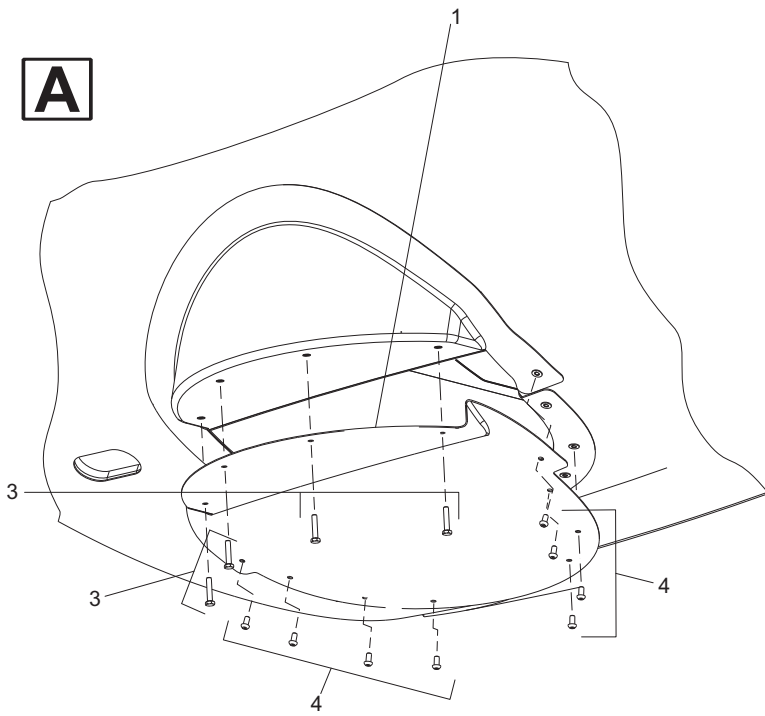
Description: External Payload Station Cockpit
 Assembly-No: 500.010

<u>Pos.</u>	<u>Part-No.</u>	<u>Nomenclature</u>	<u>Qty.</u>	<u>Remarks</u>
1	151.627	Fairing	1	
2	353.022	Interface Plate	1	
3	353.004	Spacer	1	
4	D933-06045	Hexagon Bolt M6x45	3	
5	D933-06025	Hexagon Bolt M6x20	3	
6	D933-06030	Hexagon Bolt M6x30	4	

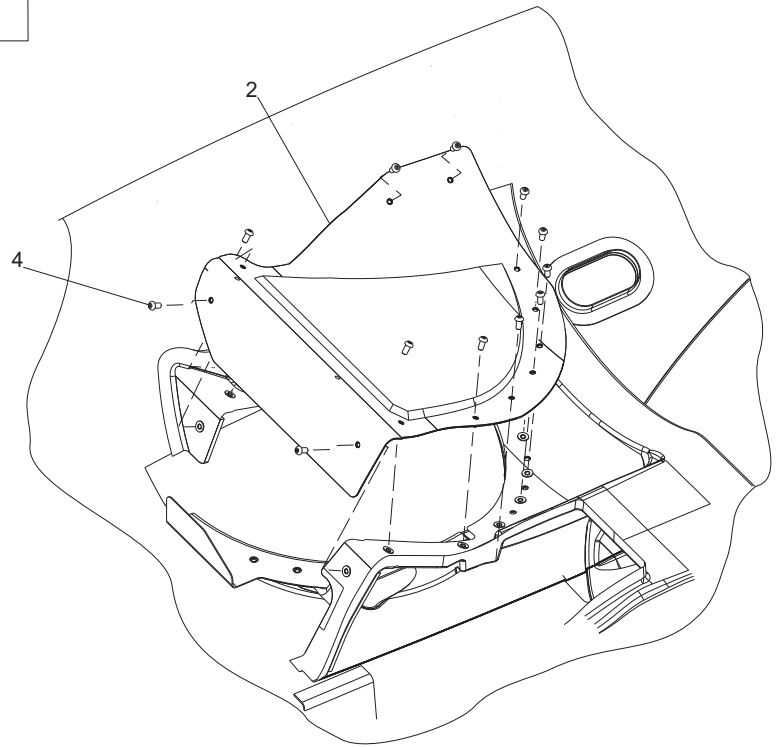
EFFECTIVITY _____
 A/C with RH modified cockpit



A



B



EFFECTIVITY _____
A/C with RH modified cockpit

Description: External Payload Station Cockpit
 Assembly-No: 500.011

<u>Pos.</u>	<u>Part-No.</u>	<u>Nomenclature</u>	<u>Qty.</u>	<u>Remarks</u>
1	353.009	Cover	1	
2	353.008	Seat Shell	1	
3	D933-06030	Hexagon Bolt M6x30	4	
4	833123	Button head Allen screw M6x12	20	

EFFECTIVITY _____
 A/C with RH modified cockpit

Intentionally Left Blank