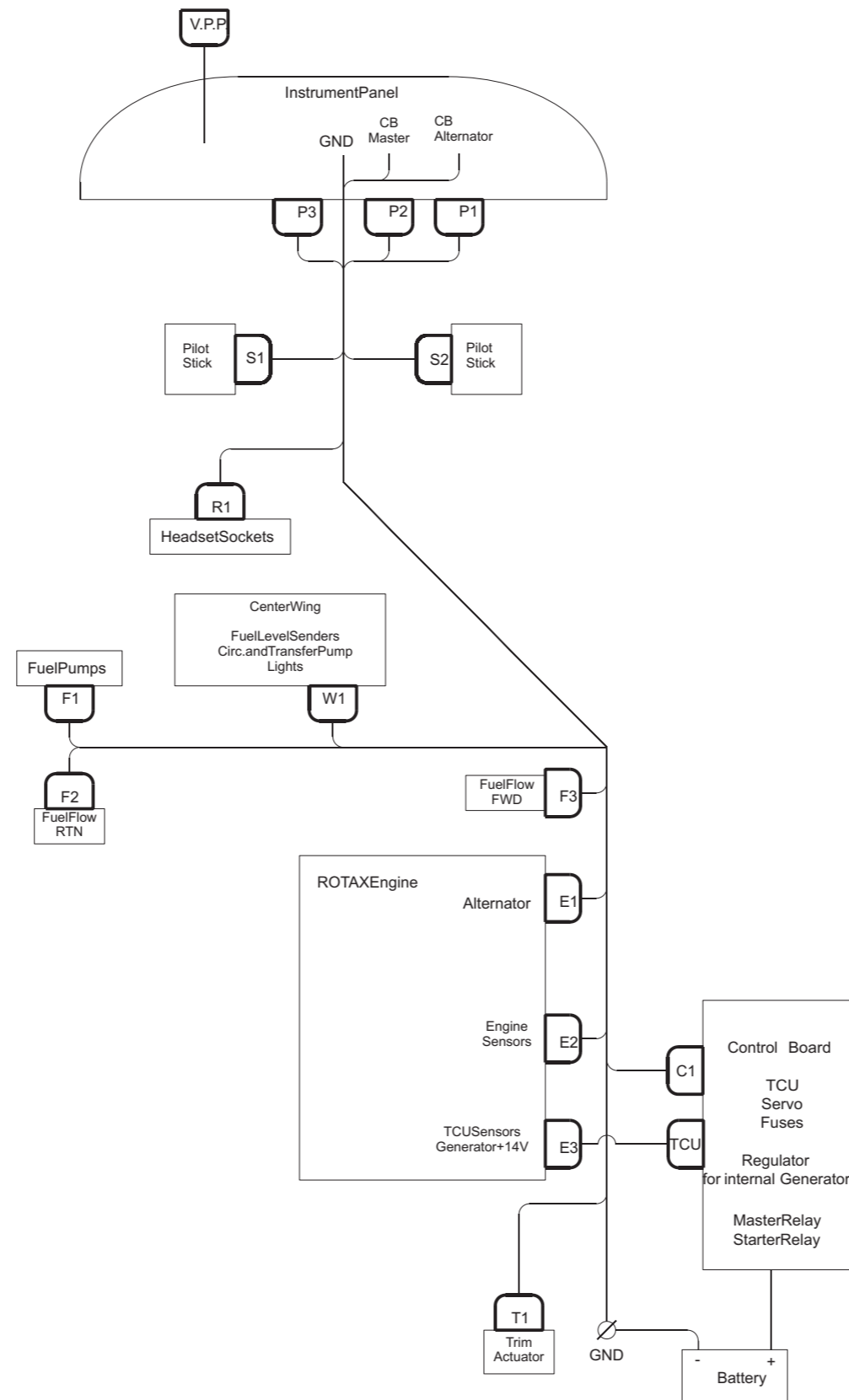
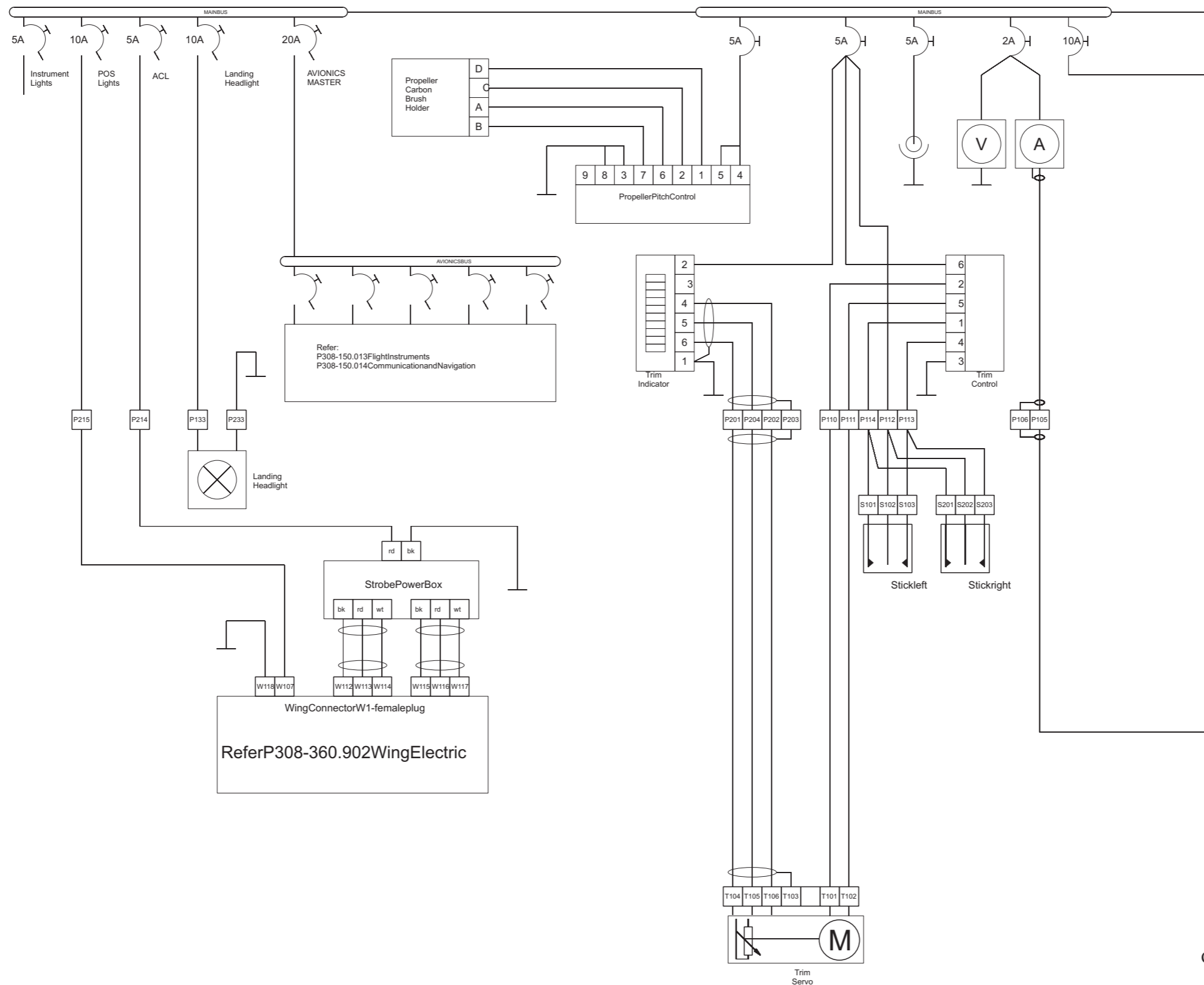


Electric Grounding 14V - P312-250.001-01
Figure 01 (1)

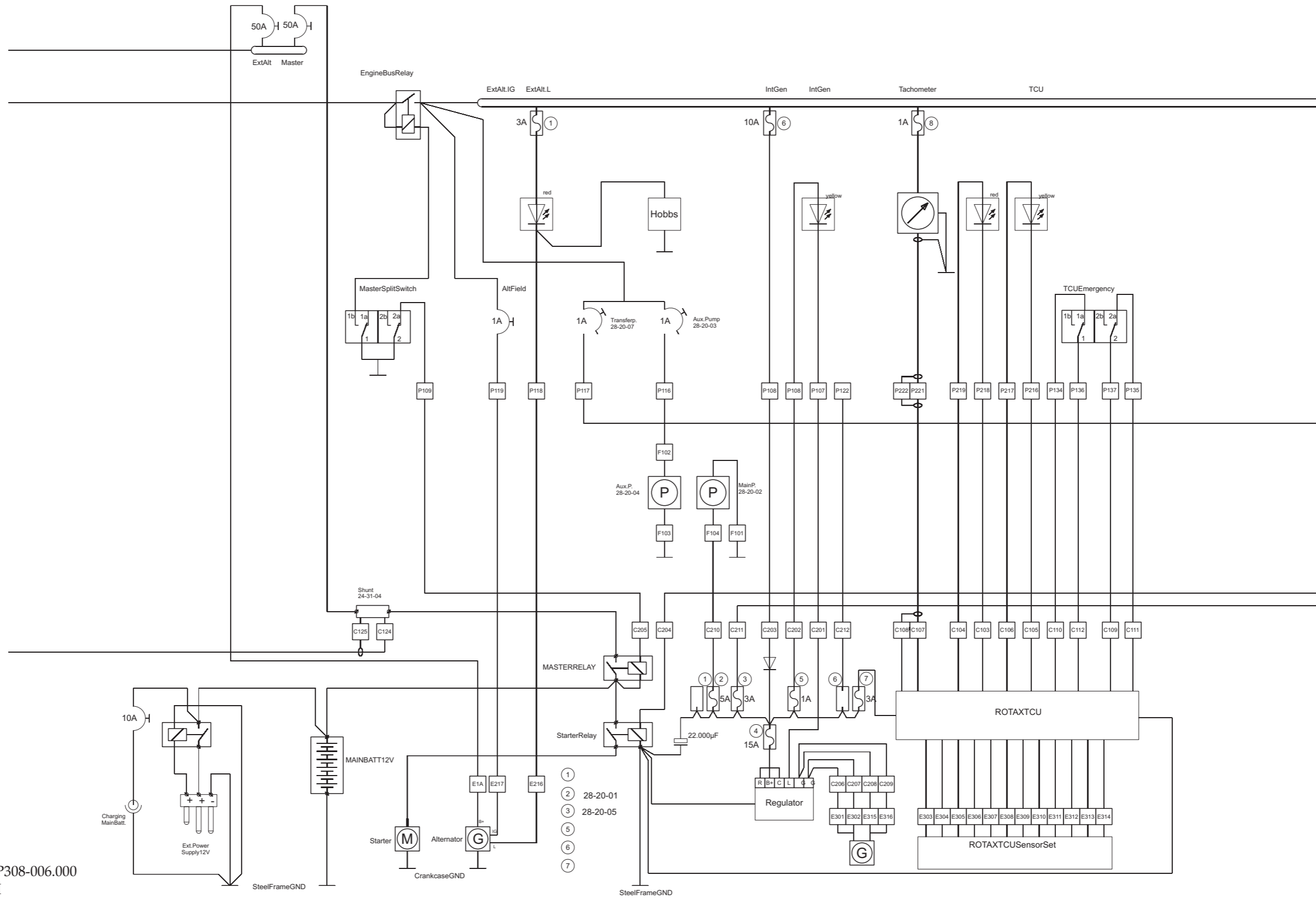


Main Wire Bundle 14 V - P312-250.011
Figure 01 (2)



General Wiring Diagram - P308-006.000
Figure 01 (3) - I

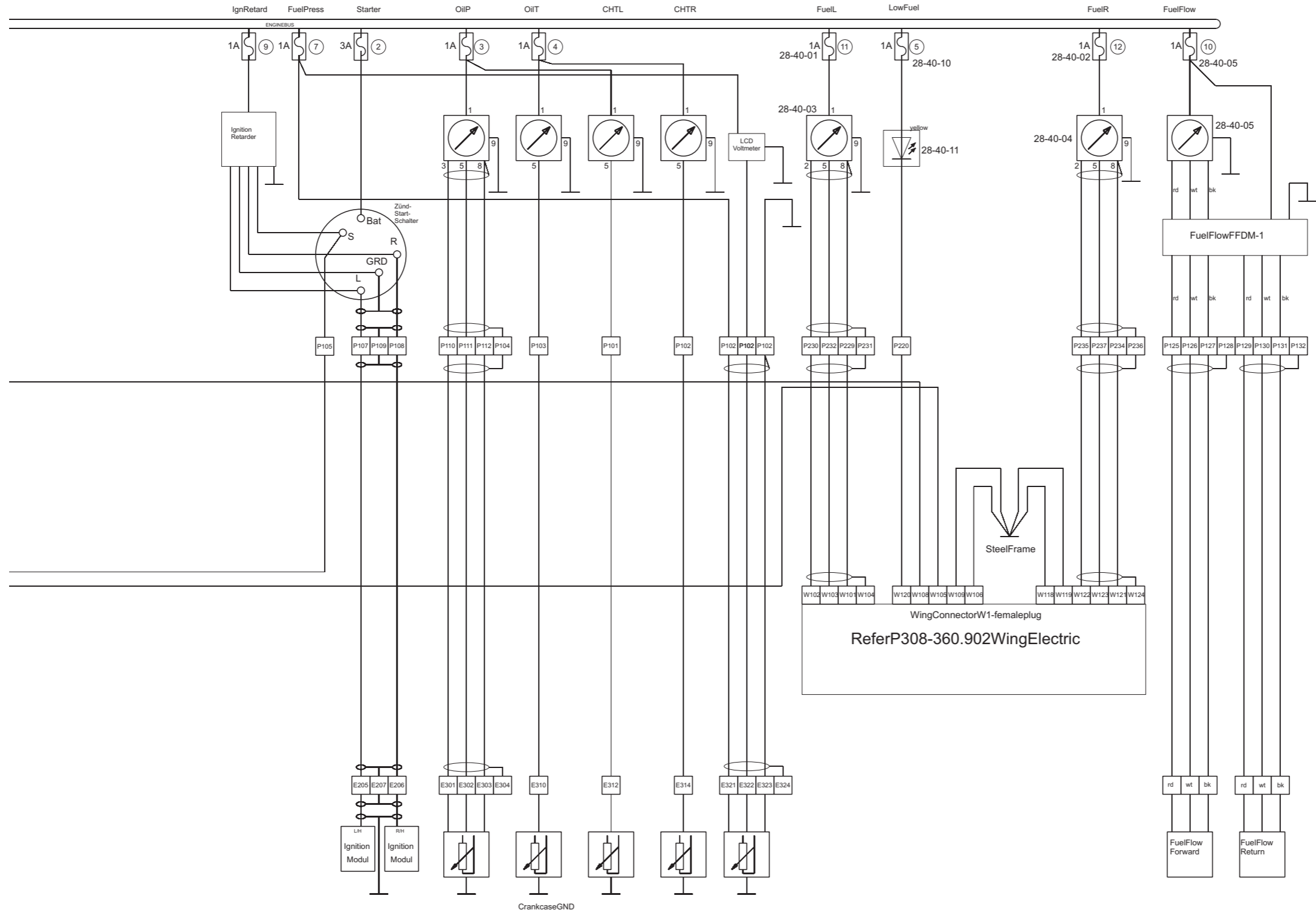
EFFECTIVITY
001 - 012



General Wiring Diagram - P308-006.000
Figure 01 (3) - II

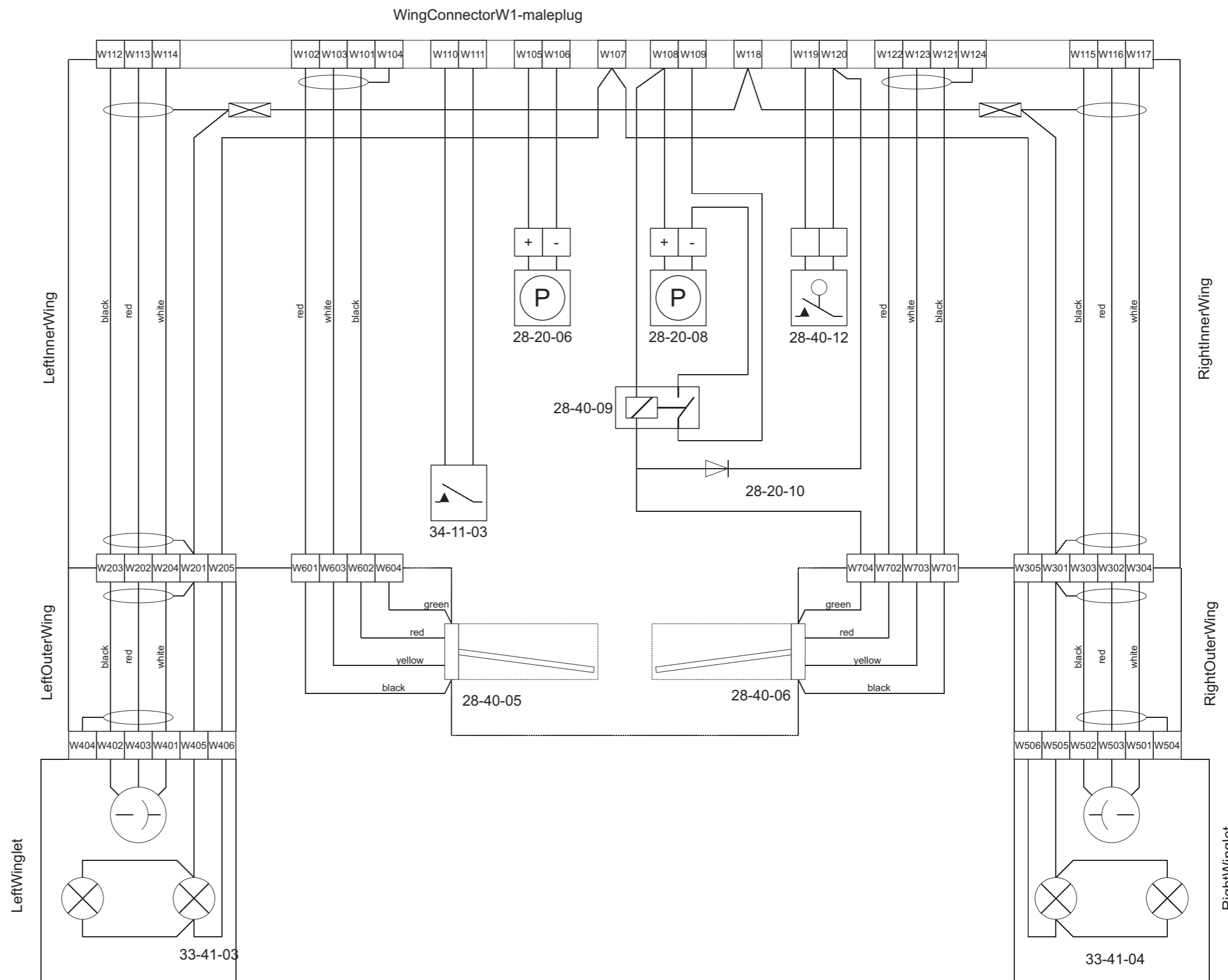
EFFECTIVITY

001 - 012



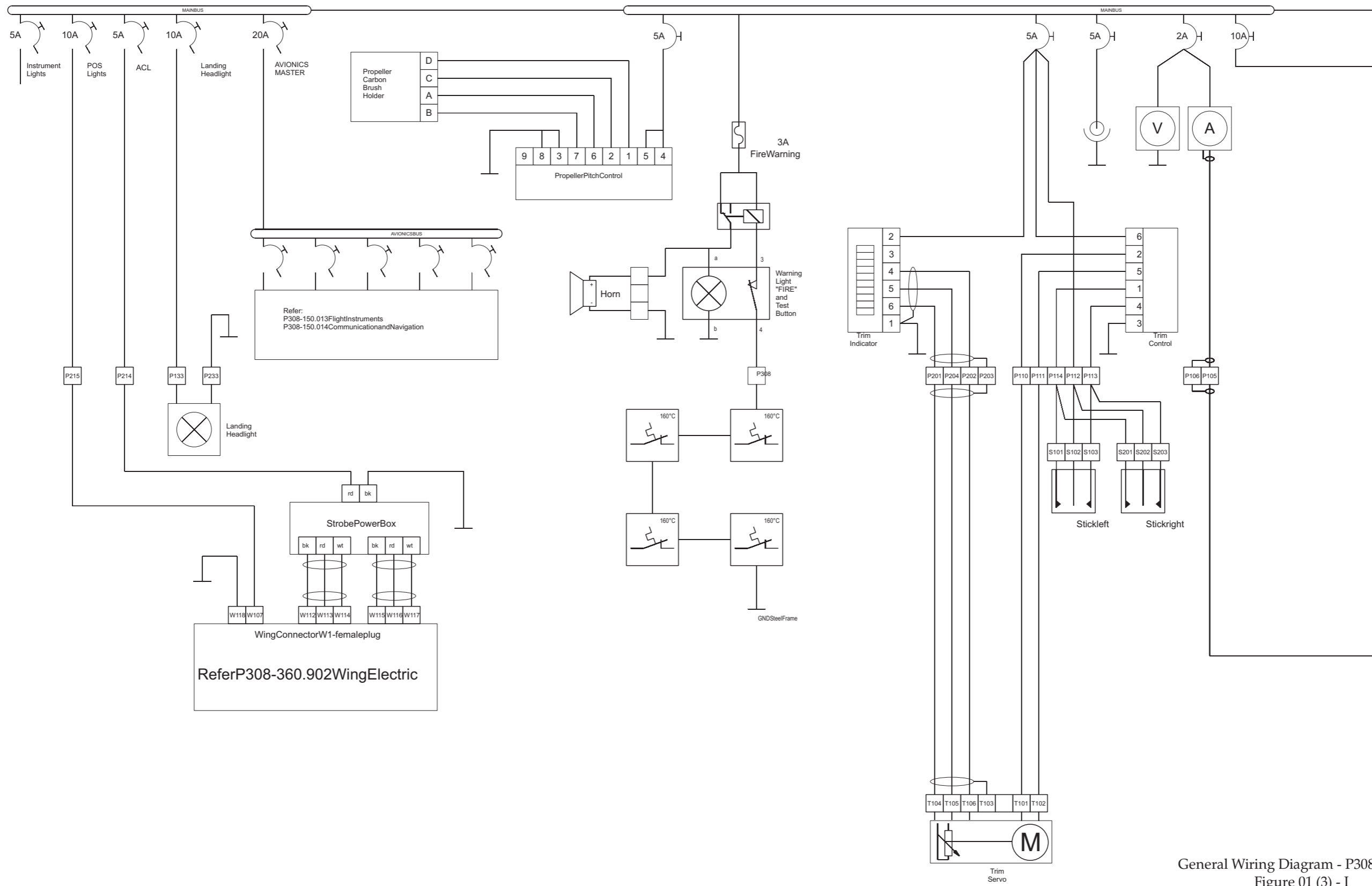
General Wiring Diagram - P308-006.000
Figure 01 (3) - III

EFFECTIVITY
001 - 012



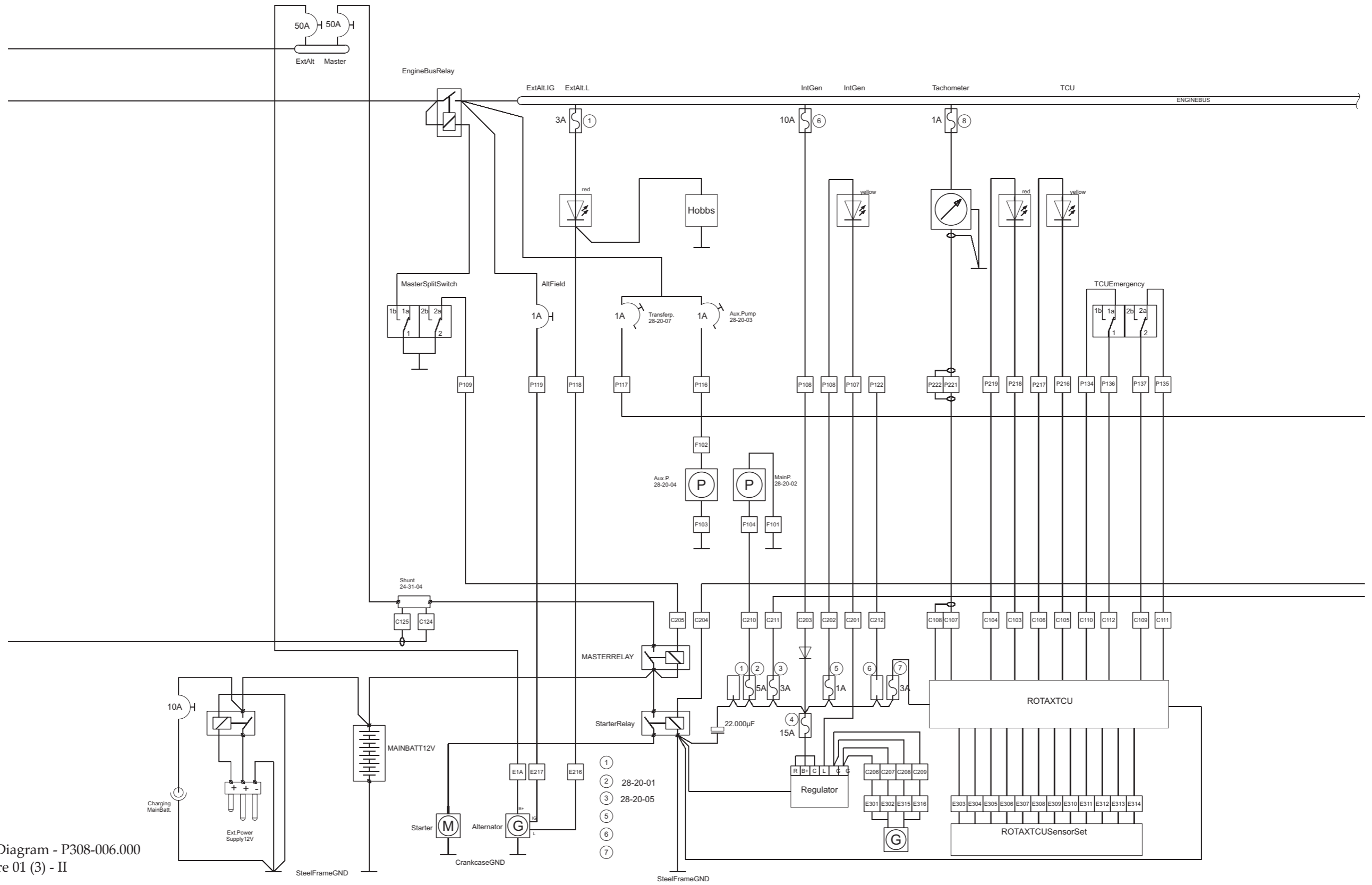
Wing Electric 14 V - P308-360.902
Figure 01 (4)

EFFECTIVITY
001 - 012



General Wiring Diagram - P308-006.000
Figure 01 (3) - I

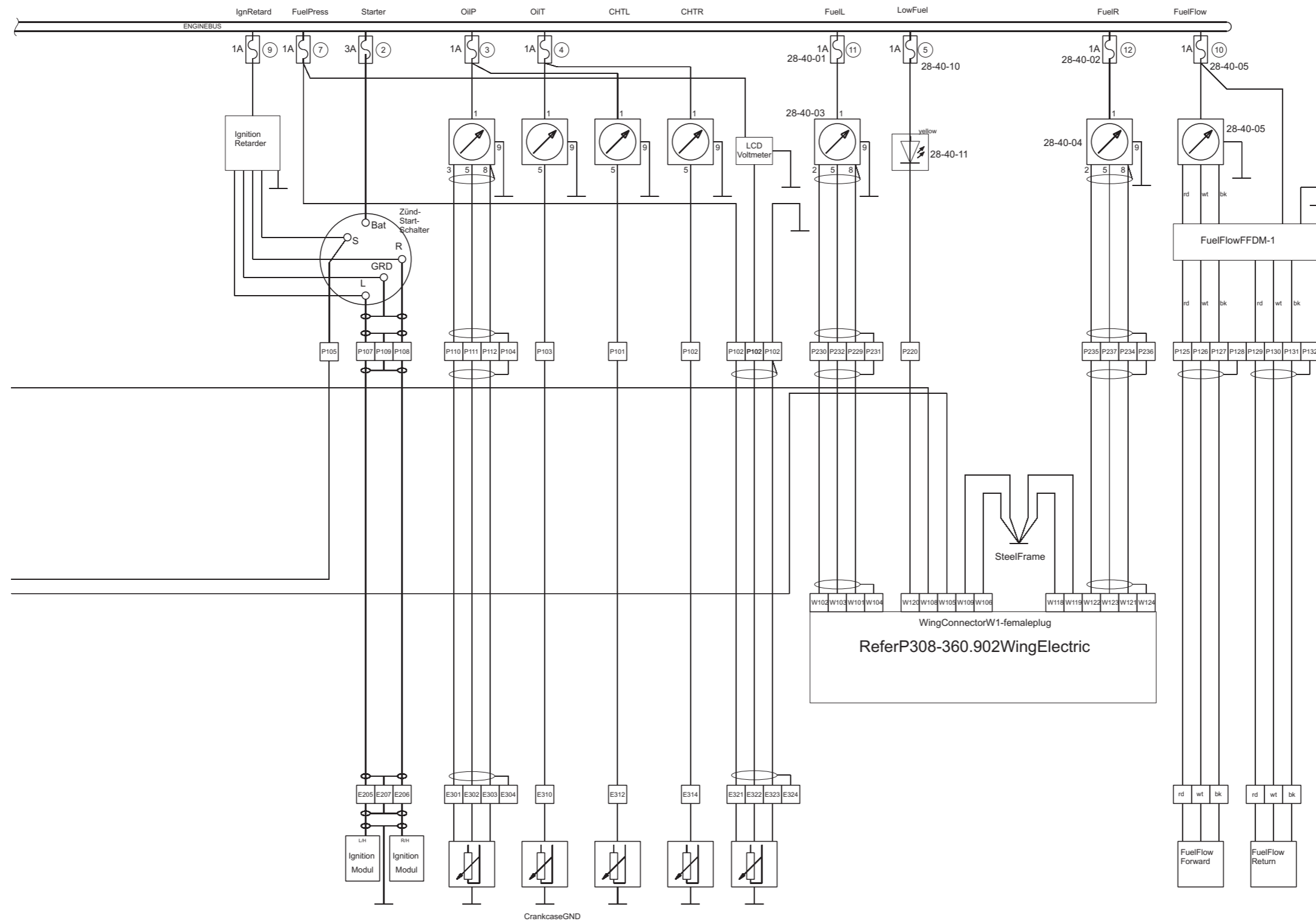
EFFECTIVITY
013 - 999



General Wiring Diagram - P308-006.000
Figure 01 (3) - II

EFFECTIVITY

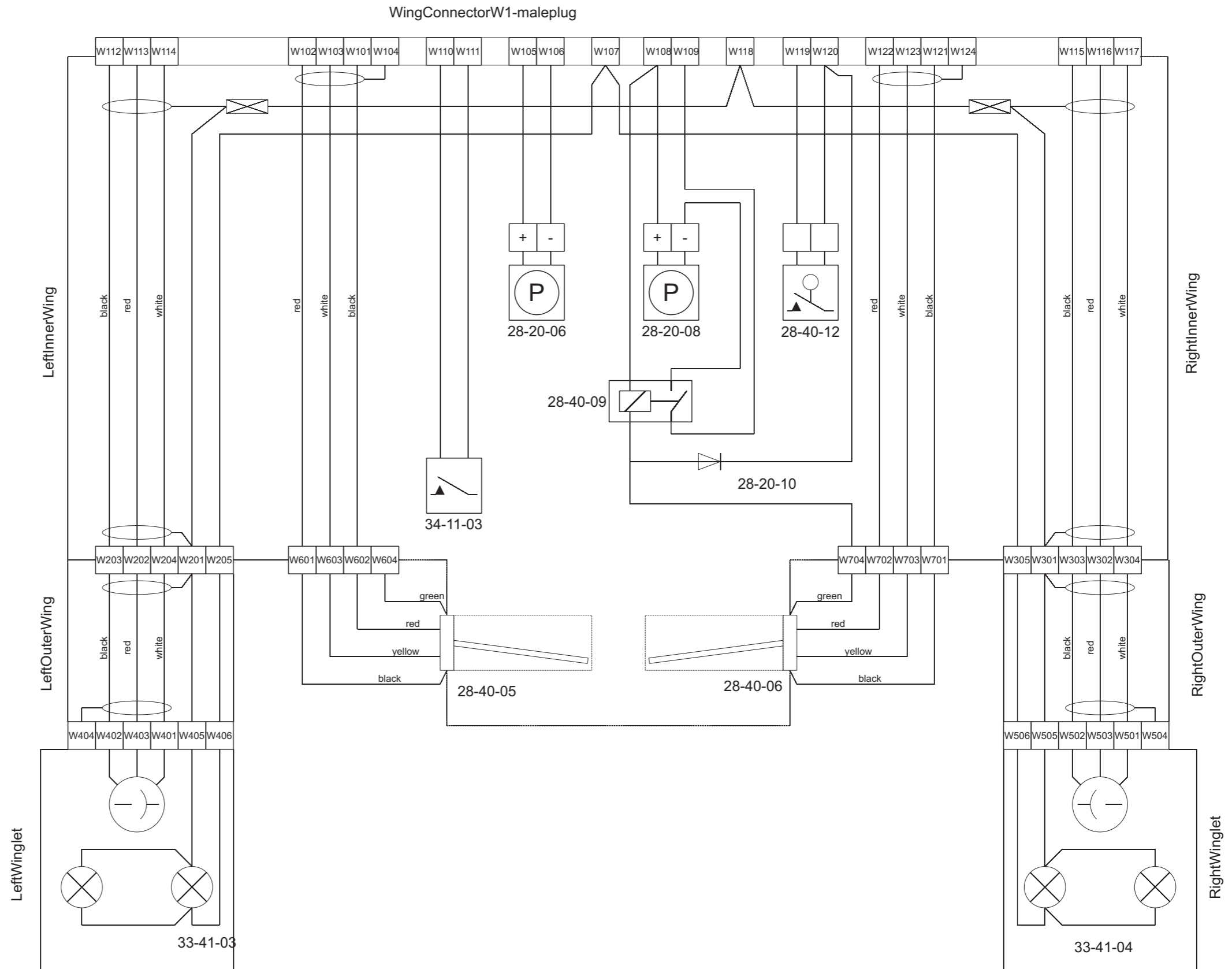
013 - 999



General Wiring Diagram - P308-006.000
Figure 01 (3) - III

EFFECTIVITY

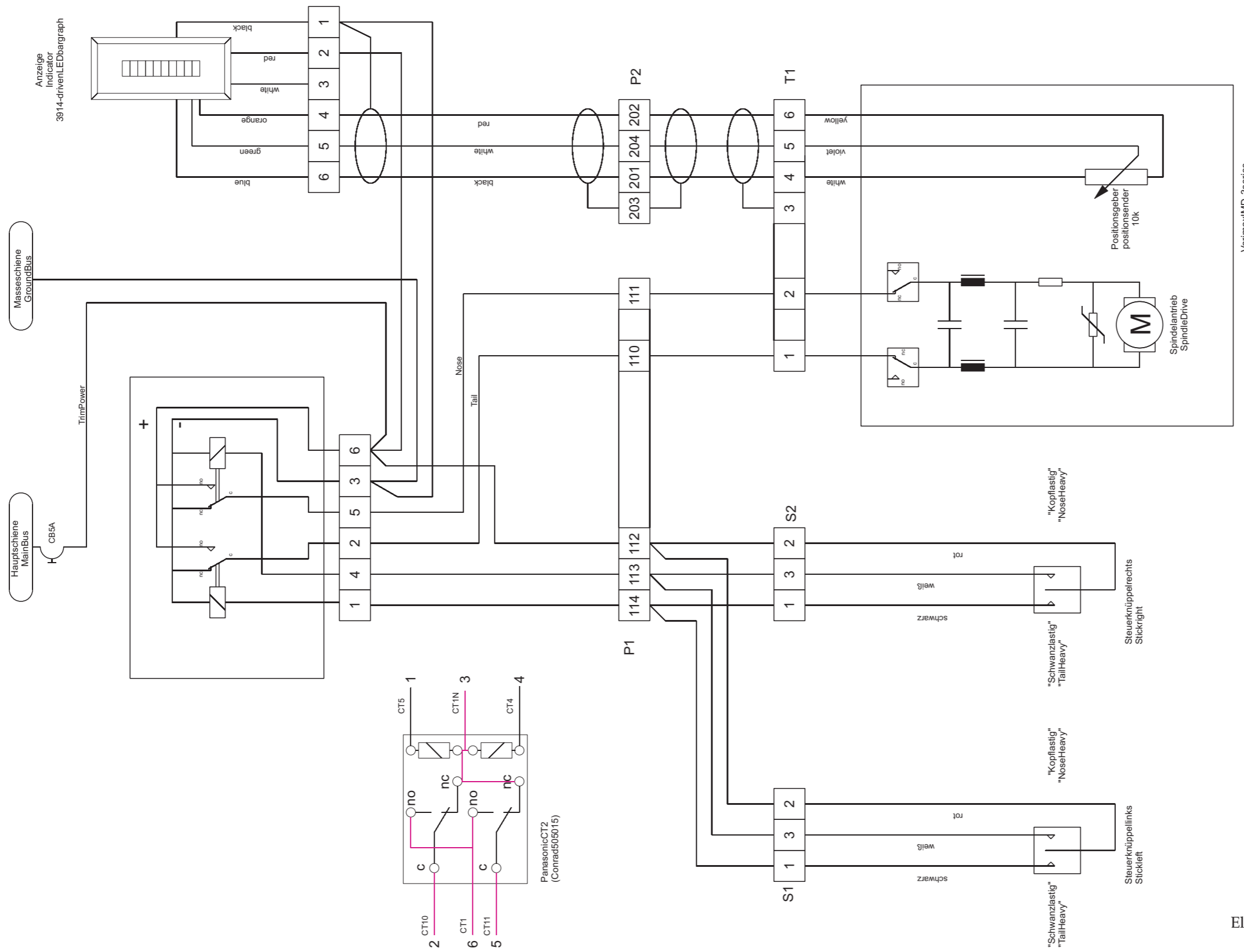
013 - 999



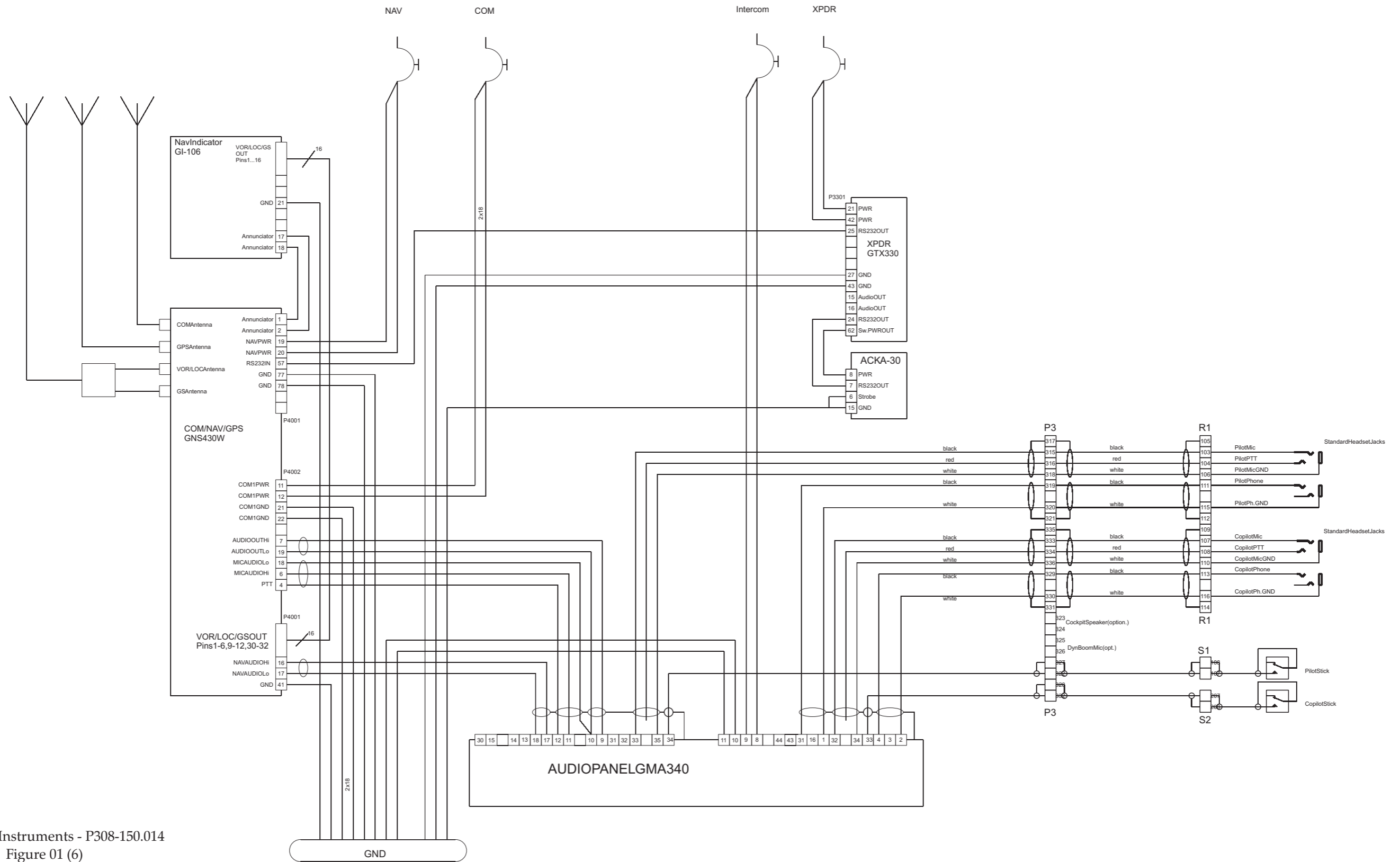
Wing Electric 14 V - P308-360.902
Figure 01 (4)

EFFECTIVITY

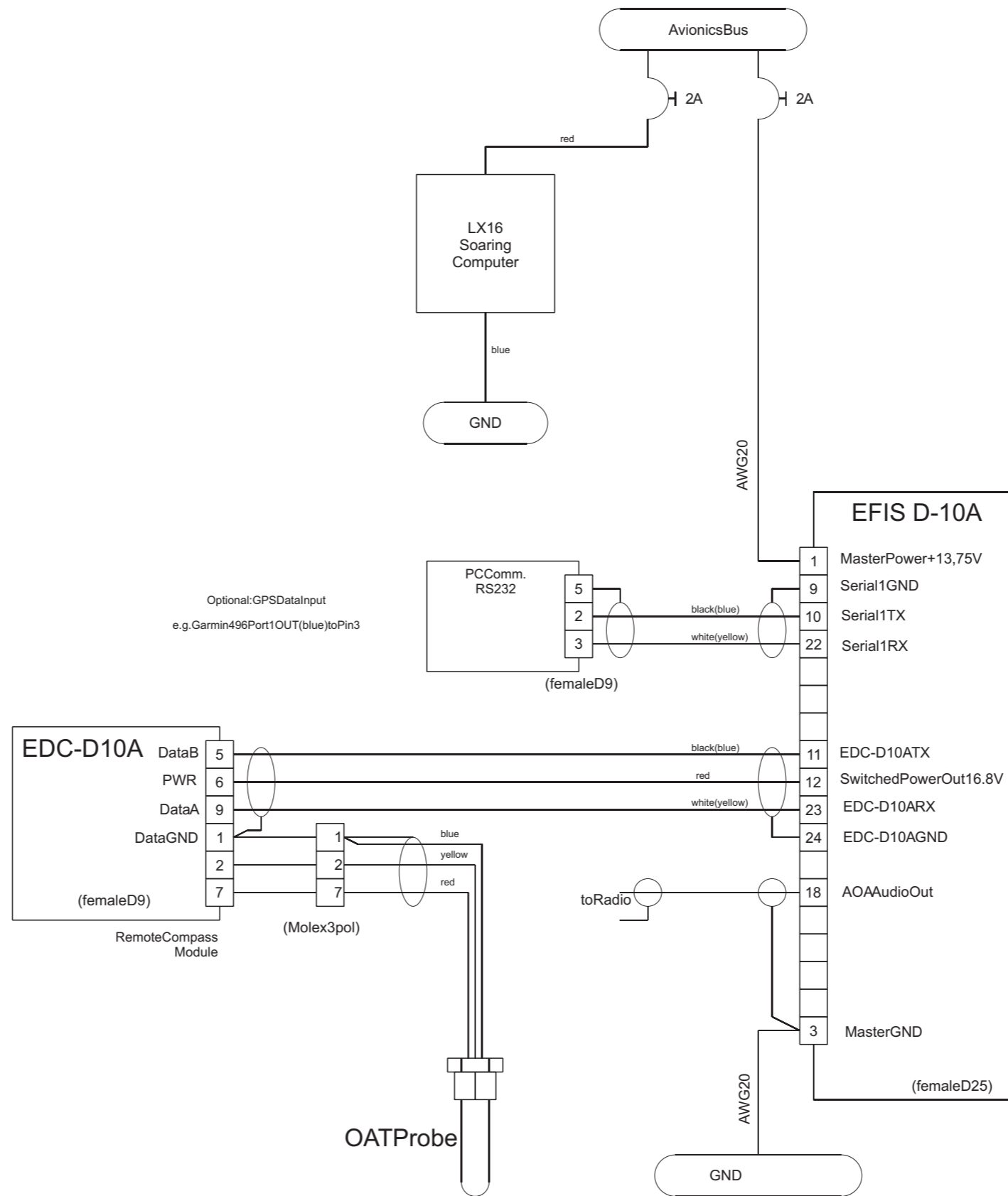
013 - 999



Electrical Elevator Trim Control - P308-051.162
Figure 01 (5)



Navigation Instruments - P308-150.014
Figure 01 (6)



Flight Instruments - P308-150.013
Figure 01 (7)

|

|

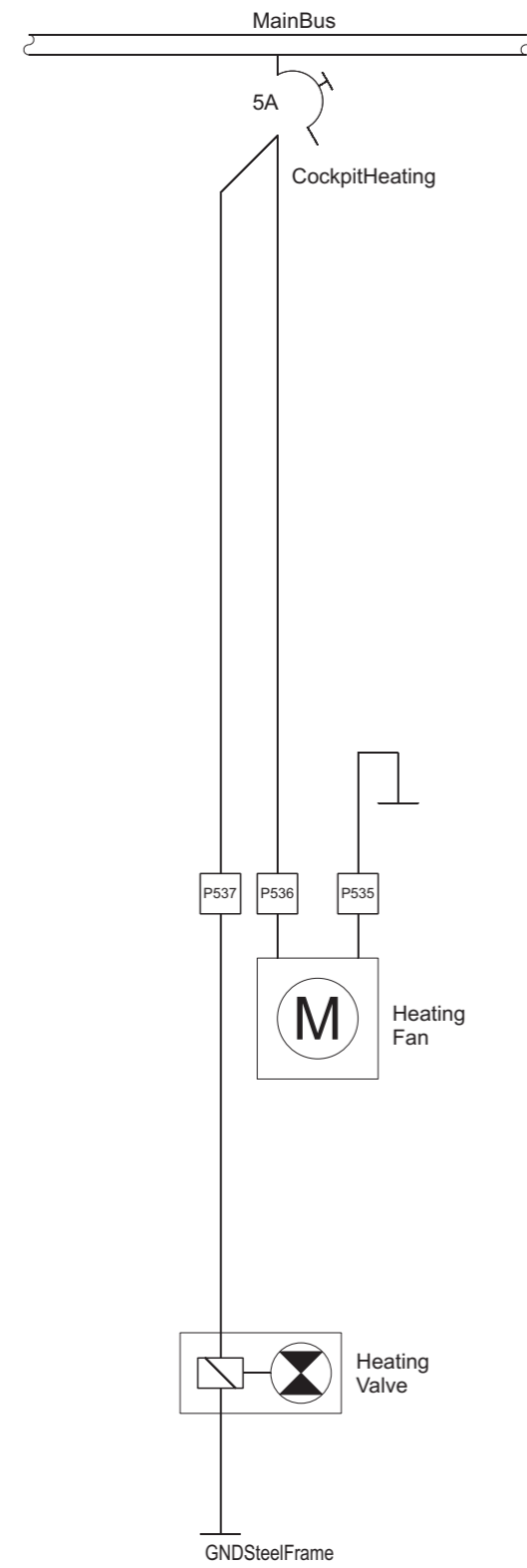
—

—

—

|

|



Cabin Heating System - P308-150.020
Figure 02 (1)

|

|

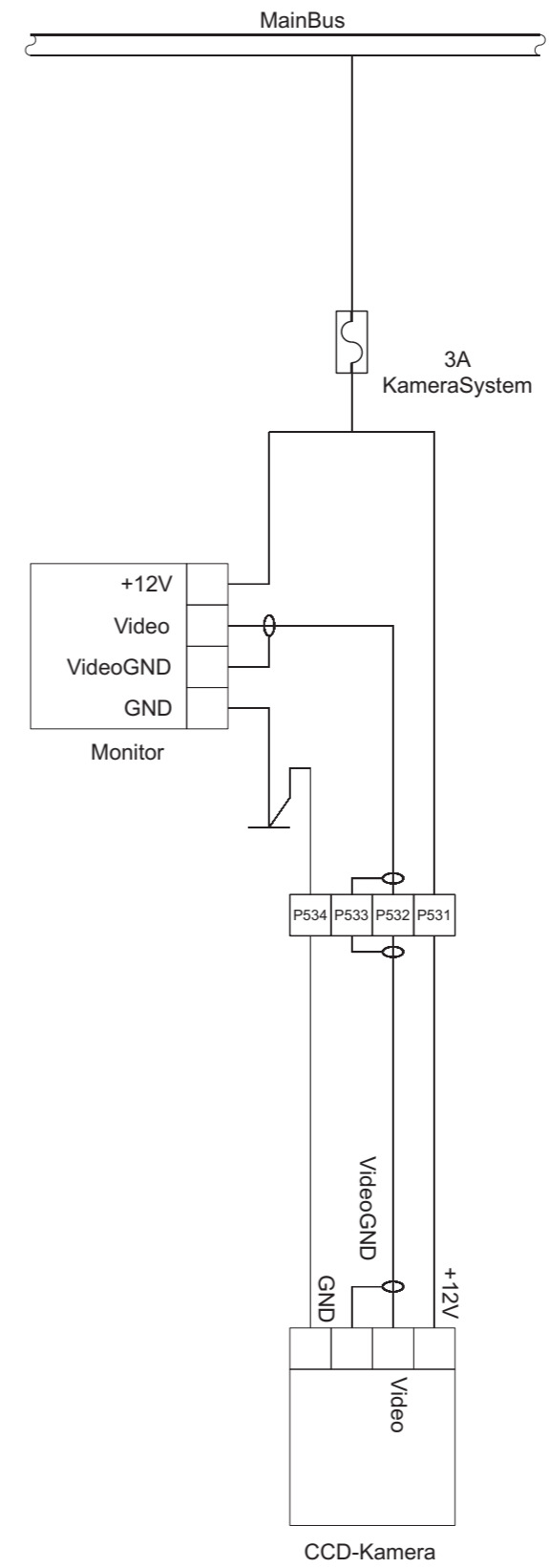
—

—

—

|

|



Rear-View Camera System - P308-150.018
Figure 03 (1)

|

|

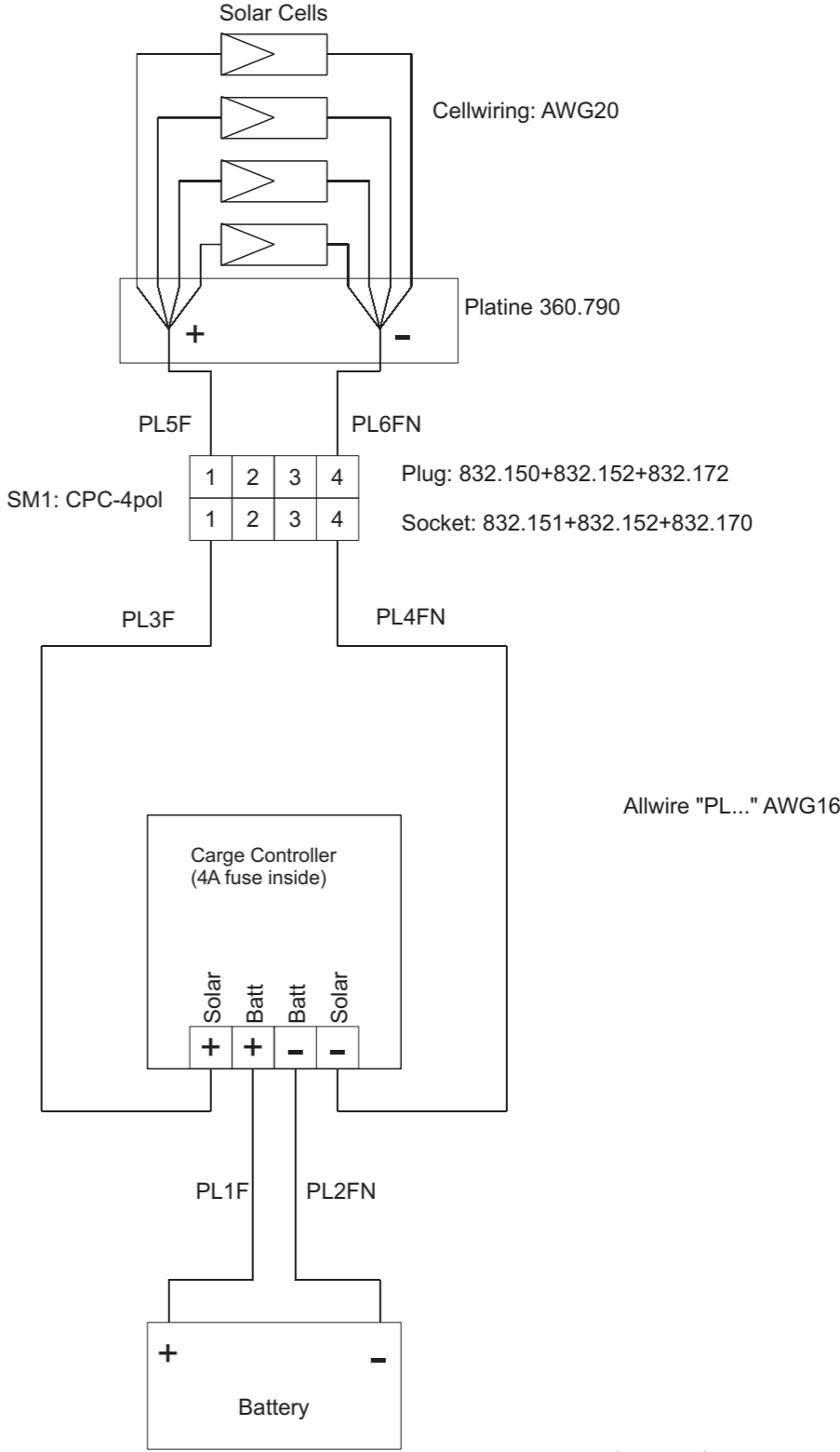
—

—

—

|

|



Solar Panel System - P308-250.070
Figure 04 (1)

|

|

—

—

—

|

|

|

|

—

—

—

|

|